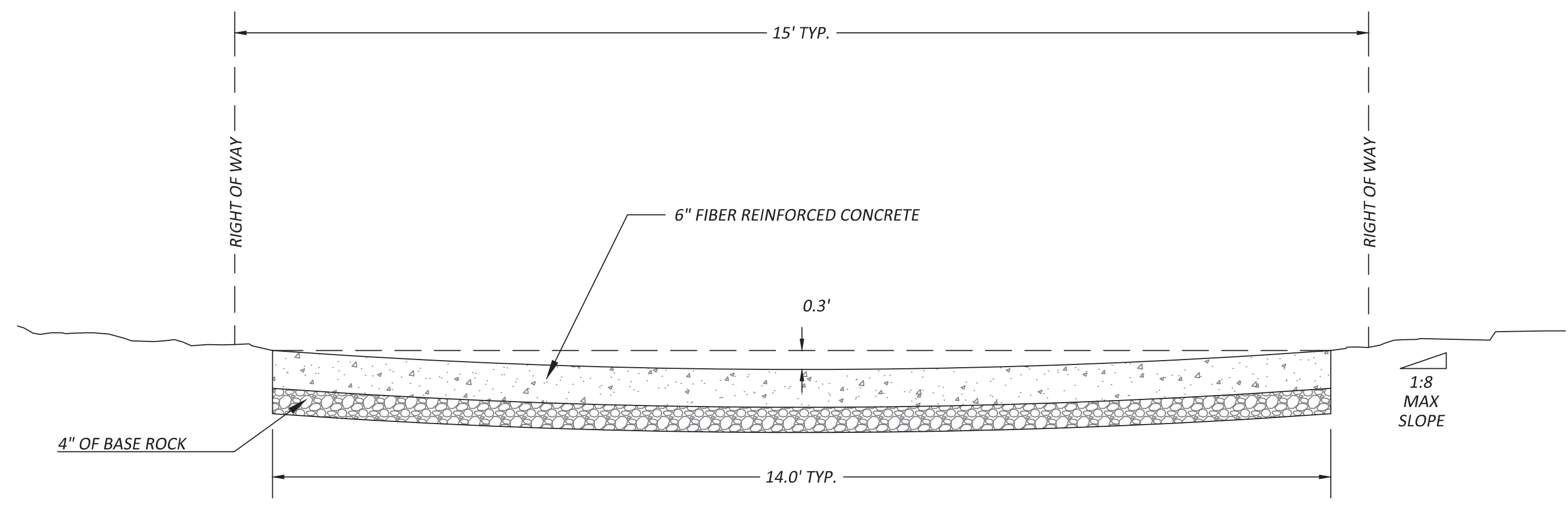


X:\PUBLICWORKS\ENGINEERING\ENGINEERING STANDARDS\DETAILS\CURRENT\DWGS\MSD 2730 ALLEY SECTION AND STREET REPAIR (2015-08).DWG

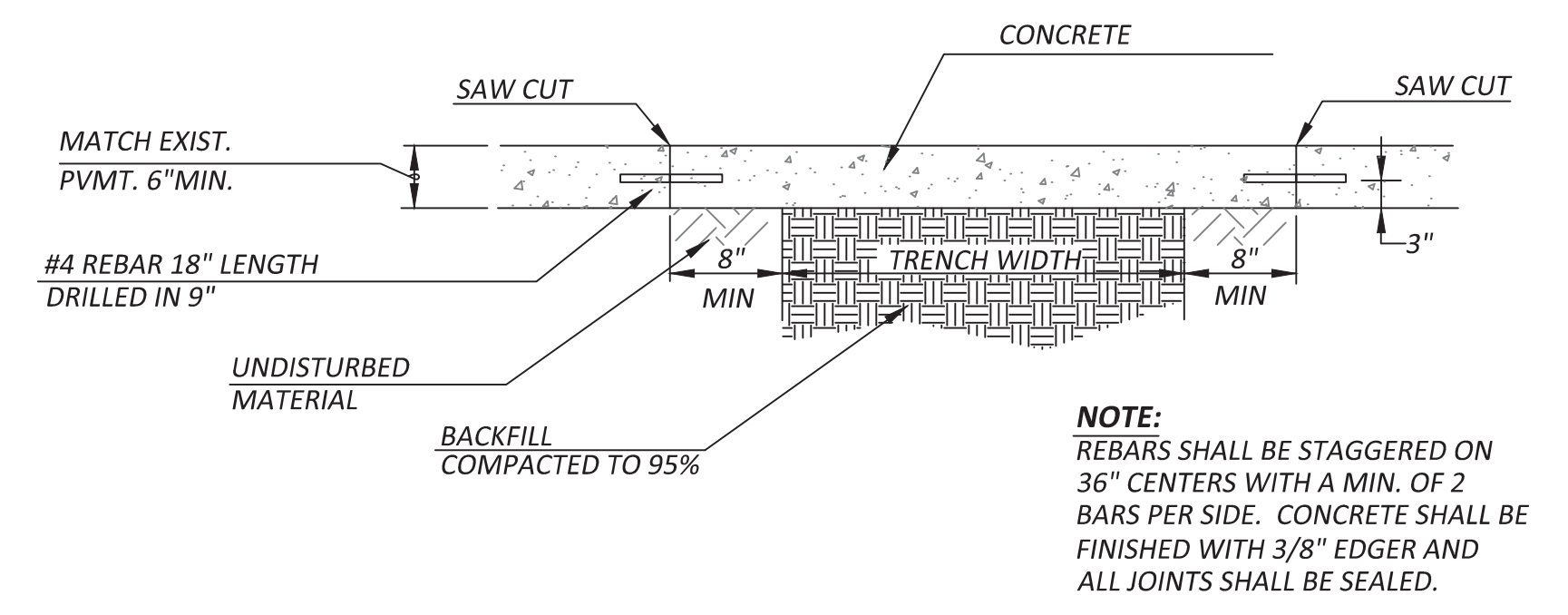
PLOT DATE: 7/30/2015 4:00 PM

PLOTTED BY: RICK PETRIE

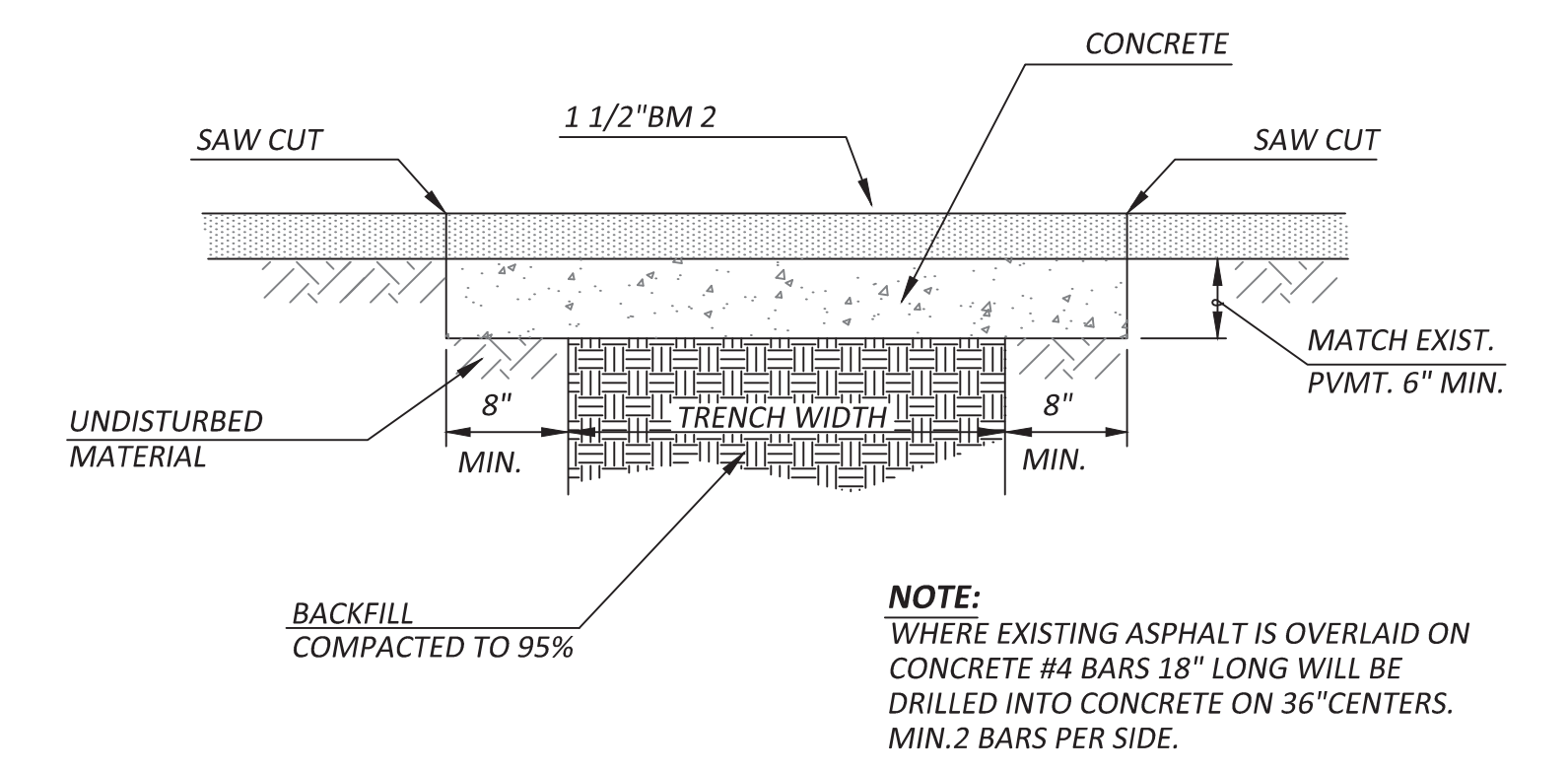


**CONCRETE ALLEY INVERTED CROWN**  
(NOT TO SCALE)

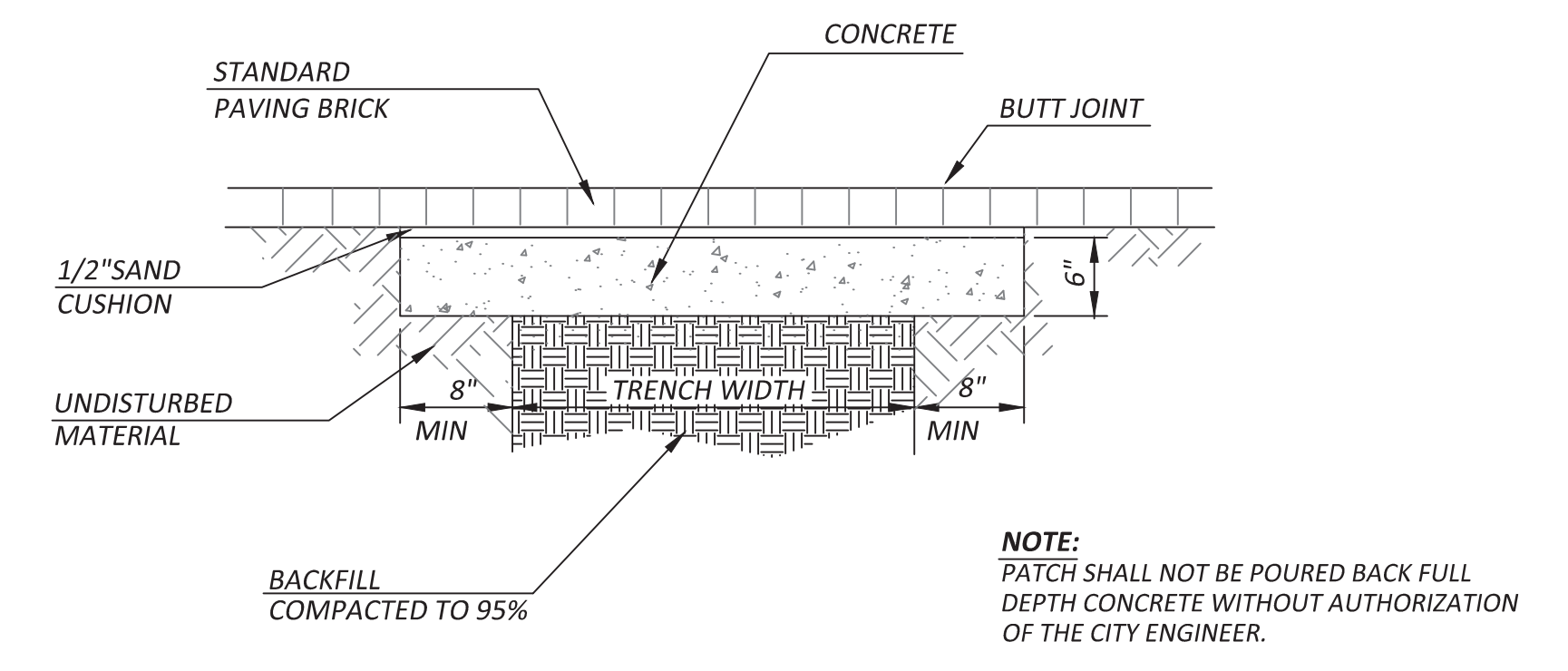
**NOTE:**  
1. NO LONGITUDINAL JOINTS SHALL BE PLACED AT THE CENTERLINE OF THE ALLEY  
2. NO LONGITUDINAL JOINTS SHALL BE PLACED WITHIN 2.5 FEET OF CENTERLINE OF THE ALLEY



**CONCRETE PATCH REPLACEMENT**  
(NOT TO SCALE)



**ASPHALT PATCH REPLACEMENT**  
(NOT TO SCALE)



**BRICK PATCH REPLACEMENT**  
(NOT TO SCALE)



NO.	DATE	DESCRIPTION	BY
 <b>City of Manhattan Kansas</b> PUBLIC WORKS 1101 POYNTZ AVE., MANHATTAN, KS 66502 (785) 587-2415			
<b>MANHATTAN STANDARD DETAILS</b> <b>MSD 2730 ALLEY SECTION AND STREET REPAIR</b>			
CITY ENGINEER: BRIAN JOHNSON, P.E.		DESIGN BY:	
CITY PROJ. #:		DRAWN BY:	
DATE:		PAGE	OF